

- Mating Height : MAX. 1.1mm
- Improved transmission efficiency, High level EMI shield performance and multi point ground
- **W-Point** Contact with High mating reliability
- Anti-reverse mating design
- Locking bar prevents accidental unmating (Option)
- Soldering connection

【Number of Position】

12p, 20p, 30p, 40p, 50p, 60p

【Ordering Code】

PLUG Connector Set (for Cable)

Parts Ordering (HOUSING)

20634- 1 ** T-02

① ②

Parts Ordering (SHELL A)

2764- 0 ** 1 - ###

① ③

Parts Ordering (Pull bar)

2766- 0 ** 1

①

RECEPTACLE Connector Set
(for PC Board)

20525- 0 ** E - 0 #

① ② ③

【Applicable Cable Size】

Micro Coax	AWG #36(Power Only), #40, #42, #44
TWINCOAX	AWG #40
DISCRETE	AWG #34, #36

PLUG	①	POS	12: 12pos 20: 20pos 30: 30pos 40: 40pos 50: 50pos 60: 60pos	
	②	Packaging	T	Tray
	③	Plating	-	Au : 50pos
002			Au : 12pos, 20pos, 30pos, 40pos, 60pos	

RECE	①	POS	12: 12pos 20: 20pos 30: 30pos 40: 40pos 50: 50pos 60: 60pos	
	②	Packaging	E	Emboss Tape
	③	BOSS	1	With
2			Without	

【Recommended P/N】

POS.	HOUSING	SHELL A	PULL BAR	PLUG Set	RECEPTACLE
12	20634-112T-02	2764-0121-002	2766-0121	20633-212T-01S	20525-012E-02
20	20634-120T-02	2764-0201-002	2766-0201	20633-220T-01S	20525-020E-02
30	20634-130T-02	2764-0301-002	2766-0301	20633-230T-01S	20525-030E-02
40	20634-140T-02	2764-0401-002	2766-0401	20633-240T-01S	20525-040E-02
50	20634-150T-02	2764-0501	2766-0501	20633-050T-01S	20525-050E-02
60	20634-160T-02	2764-0601-002	2766-0601	20633-260T-01S	20525-060E-02

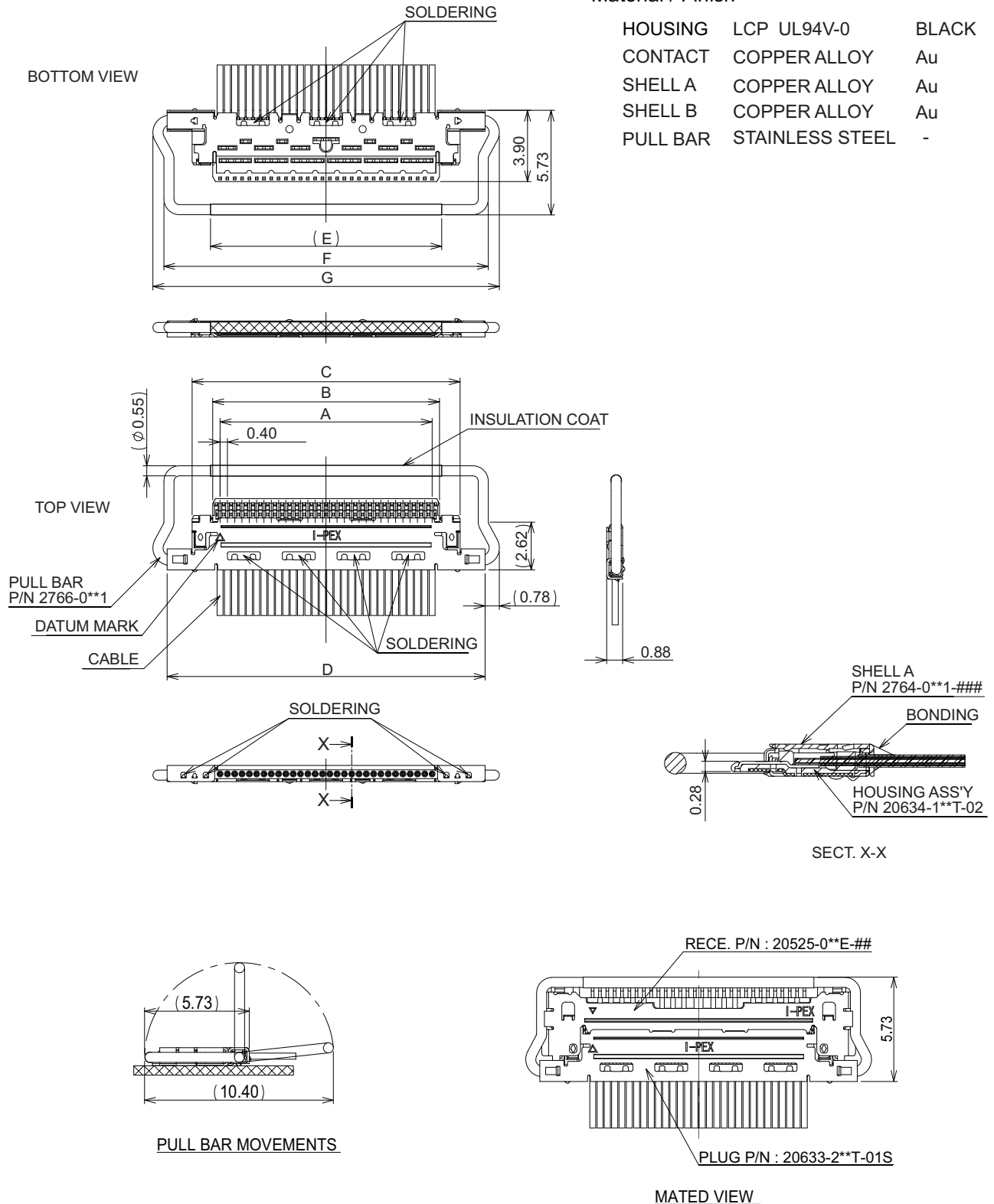
PLUG

Set P/N:20633-2**T-01S

POS.	A	B	C	D	E	F	G
12	4.40	5.20	7.46	10.20	5.45	10.55	11.75
20	7.60	8.40	10.66	13.40	8.65	13.75	14.95
30	11.60	12.40	14.66	17.40	12.65	17.75	18.95
40	15.60	16.40	18.66	21.40	16.65	21.75	22.95
50	19.60	20.40	22.66	25.40	20.65	25.75	26.95
60	23.60	24.40	26.66	29.40	24.65	29.75	30.95

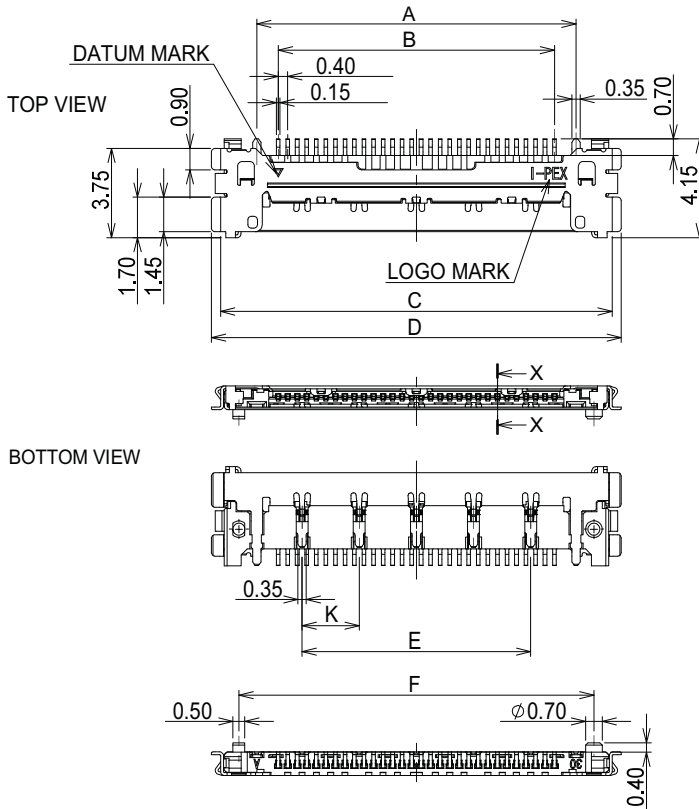
Material / Finish

HOUSING	LCP UL94V-0	BLACK
CONTACT	COPPER ALLOY	Au
SHELL A	COPPER ALLOY	Au
SHELL B	COPPER ALLOY	Au
PULL BAR	STAINLESS STEEL	-



RECEPTACLE

POS.	A	B	C	D	E	F	G	H	J	K
12	6.20	4.40	9.23	10.00	2.40	7.70	8.98	10.40	12.40	-
20	9.40	7.60	12.43	13.20	4.80	10.90	12.18	13.60	15.60	2.40
30	13.40	11.60	16.43	17.20	9.60	14.90	16.18	17.60	19.60	2.40
40	17.40	15.60	20.43	21.20	12.00	18.90	20.18	21.60	23.60	2.40
50	21.40	19.60	24.43	25.20	16.80	22.90	24.18	25.60	27.60	2.80
60	25.40	23.60	28.43	29.20	19.20	26.90	28.18	29.60	31.60	3.20

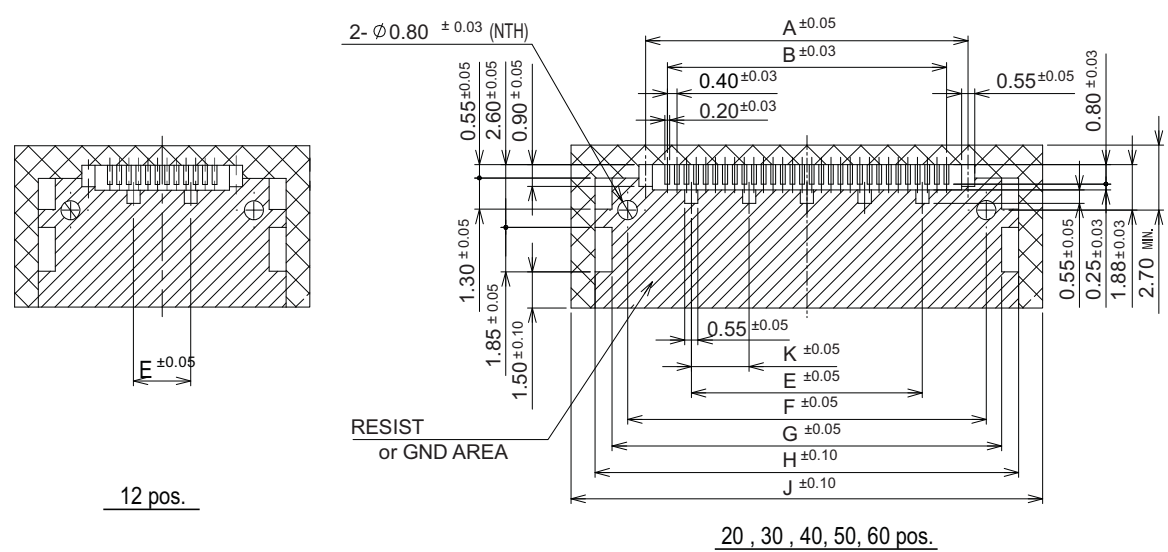
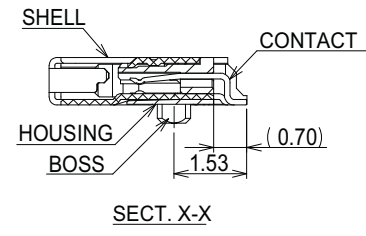
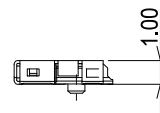


P/N:20525-0**E-0 #

1: With Boss
2: Without Boss

Material / Finish

HOUSING	LCP UL94V-0	BLACK
CONTACT	COPPER ALLOY	Au
SHELL	COPPER ALLOY	Au



RECOMMENDED FOOTPRINT PATTERN